

DRAG CONVEYORS

- **Smooth Transitions, Consistent Results: Drag Conveyors Deliver!**

Whether it's horizontal, vertical, or any combination, our drag conveyors handle it all. Count on us for all your material handling needs.

When it comes to bulk material handling, our drag conveyors are the champions of efficiency. They move your materials smoothly, reliably, and with precision, keeping

- **Turning Corners, Moving Mountains – It's the 'HV' Drag!**

The 'HV' drag conveyor is your solution for efficient space utilization. Move your materials up, over, and down without wasting valuable floor space. With heavy-duty construction and a minimal profile, Conveyors Inc's line of discharge drag conveyors can handle both extreme environments and restricting space constraints.

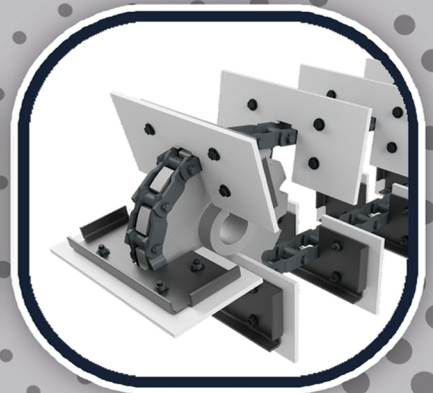
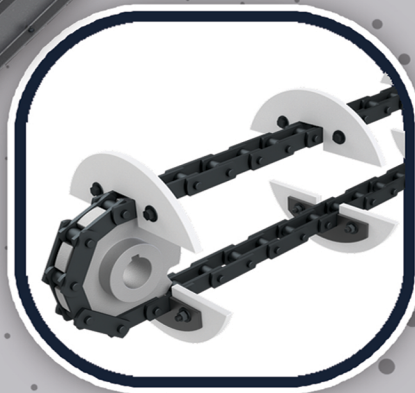
- **En Masse Flat Bottom Drags: Pioneering Bulk Material Handling!**

Discover the strength of Conveyors Inc's en masse flat bottom drags. These conveyors are designed to handle your toughest materials with ease, ensuring a consistent flow. In the world of bulk material handling, efficiency is paramount. Conveyors Inc's flat bottom drags offer unmatched reliability and low maintenance, keeping your operation running smoothly.

- **Round Bottom Drags: Efficiency Meets Precision!**

Our en masse round bottom drags unique design ensures minimal product degradation and maximum efficiency with your material.

Keep your materials intact and your operations running efficiently with round bottom drags. They handle fragile materials with care while delivering robust performance.



CONVEYORS, INC.

CONTACT US (817)-473-4645

620 S 4TH AVE, MANSFIELD, TX 76063

